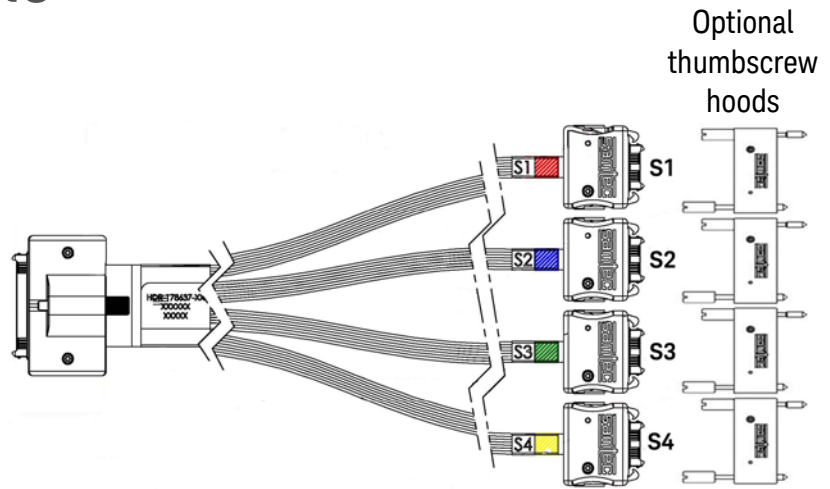


Keysight Y1248A and Y1249A Multi-Site Signal Cable

Keysight's Y1248A and Y1249A Multi-Site Signal Cables are the same cable but different lengths. The Y1248A cable is 1 meter long and the Y1249A cable is 2 meters long. These cables separate the M9195A/B signals into four independent partitions (banks) for multi-site testing. Each partition contains a 20-pin Edge Rate connector with squeeze latch, four signal lines, four PMU sense lines, one high voltage, and one open drain line. Each cable includes a set of four alternate thumb screw hoods.



Refer to the M9195A/B Startup Guide and User Guide for detailed information on using the various signal lines.

General Use Recommendations

Keysight recommends that you use one of the following three Samtec¹ 20-pin mating connectors to mate with your Device Under Test (DUT) end connector on the cable:

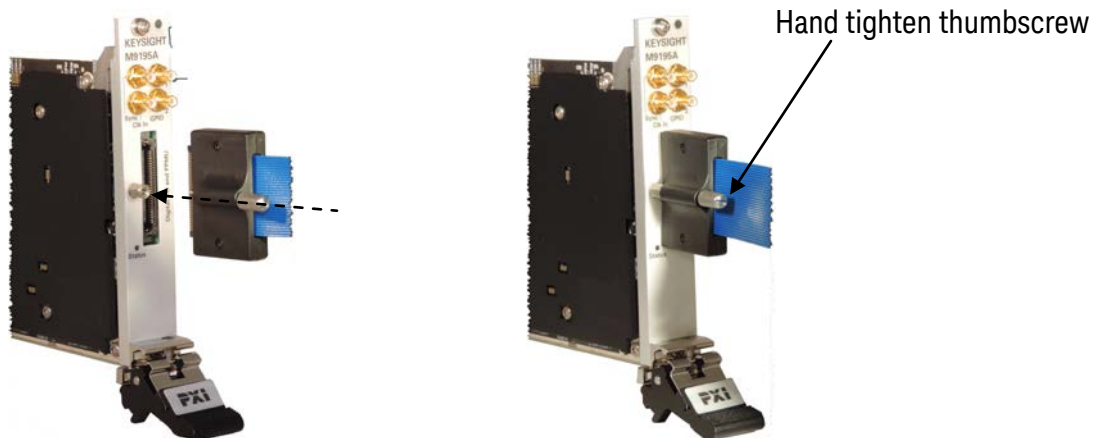
ERF8-010-01-L-D-RA-L-TR (right angle)

ERF8-010-01-L-D-EM2-TR (edge mount, for use on 0.062" thick PC boards)

ERF8-010-05.0-L-DV-L-TR (vertical mount)

Installation and Removal of the Y1248A/Y1249A Cable

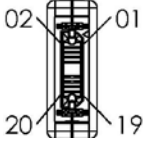
The end of the cable that connects to the M9195A/B has a single thumb screw on the hood. Connect the cable to the M9195A/B and then hand-tighten the thumb screw to the attached nut on the module. See the following photographs.



¹ Samtec, <http://www.samtec.com>

Pinout of DUT Connector

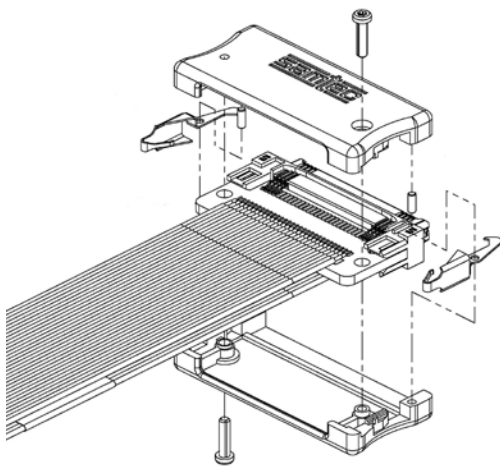
One end of this cable plugs onto the M9195A/B front panel connector. The other end is available to connect to your Device Under Test (DUT). The following table and graphic are provided to help you in connecting to your DUT.

S1 Red	S2 Blue	S3 Green	S4 Yellow	Pin #		Pin #	S4 Yellow	S3 Green	S2 Blue	S1 Red
Ch 04	Ch 08	Ch 12	Ch 16	2		1	Gnd	Gnd	Gnd	Gnd
Gnd	Gnd	Gnd	Gnd	4		3	Ch 13	Ch 09	Ch 05	Ch 01
Ch 02	Ch 06	Ch 10	Ch 14	6		5	Gnd	Gnd	Gnd	Gnd
Gnd	Gnd	Gnd	Gnd	8		7	Ch 15	Ch 11	Ch 07	Ch 03
GND_Sense				10		9	Gnd	Gnd	Gnd	Gnd
Gnd	Gnd	Gnd	Gnd	12		11	HV23	HV22	HV21	HV20
OPEN DRAIN AUX. 0	OPEN DRAIN AUX. 1	OPEN DRAIN AUX. 2	OPEN DRAIN AUX. 3	14		13	OPEN DRAIN AUX. 3	OPEN DRAIN AUX. 2	OPEN DRAIN AUX. 1	OPEN DRAIN AUX. 1
Gnd	Gnd	Gnd	Gnd	16		15	Gnd	Gnd	Gnd	Gnd
PPMU SENSE02	PPMU SENSE06	PPMU SENSE10	PPMU SENSE14	18		17	PPMU SENSE15	PPMU SENSE11	PPMU SENSE07	PPMU SENSE03
PPMU SENSE01	PPMU SENSE05	PPMU SENSE09	PPMU SENSE13	20	19	PPMU SENSE16	PPMU SENSE12	PPMU SENSE08	PPMU SENSE04	

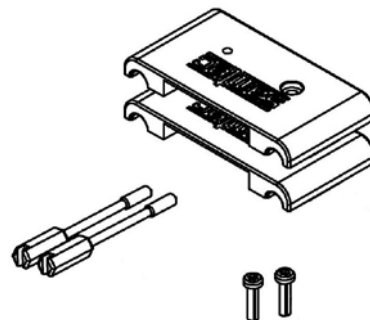
Installation and Removal of the Alternate Thumbscrew Hood

The alternate hood uses thumb screws to retain the cable to the DUT rather than the squeeze latches of the original hood. To use the alternate hood on the DUT end of the cable, the old hood must first be removed. The following graphic shows how to disassemble and remove the original hood. Retain all of the pieces in case you should need to reuse the original hood in the future.

Disassembly of original hood:

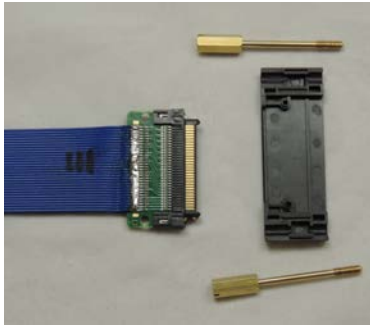


The alternate thumb screw hood consists of six pieces:

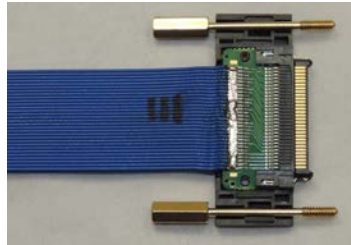


To assemble the alternate hood over the cable connector:

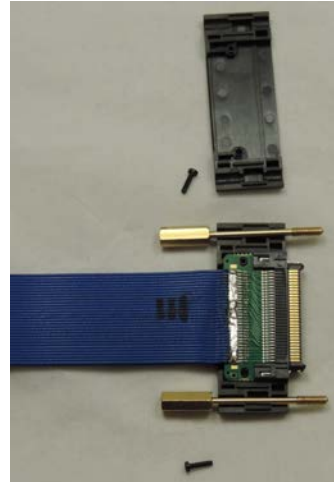
Lay out the parts:



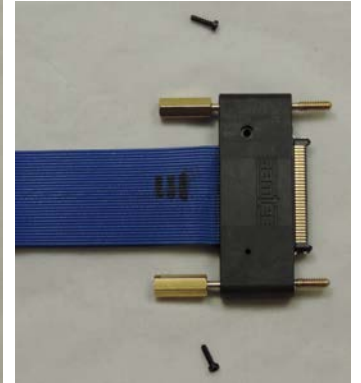
Lay the cable connector on the header. Make certain the holes in the connector mate with the holes in the header.



Place the thumbscrews in the header piece. Align the second header piece to match the bottom piece.



Make certain the top header piece snaps onto the bottom piece. Use the Torx T5 screws to secure the header pieces.



Warranty

THE MATERIAL CONTAINED IN THIS DOCUMENT IS PROVIDED "AS IS," AND IS SUBJECT TO BEING CHANGED, WITHOUT NOTICE, IN FUTURE EDITIONS. FURTHER, TO THE MAXIMUM EXTENT PERMITTED BY APPLICABLE LAW, KEYSIGHT DISCLAIMS ALL WARRANTIES, EITHER EXPRESS OR IMPLIED, WITH REGARD TO THIS MANUAL AND ANY INFORMATION CONTAINED HEREIN, INCLUDING BUT NOT LIMITED TO THE IMPLIED WARRANTIES OF MERCHANTABILITY AND FITNESS FOR A PARTICULAR PURPOSE. KEYSIGHT SHALL NOT BE LIABLE FOR ERRORS OR FOR INCIDENTAL OR CONSEQUENTIAL DAMAGES IN CONNECTION WITH THE FURNISHING, USE, OR PERFORMANCE OF THIS DOCUMENT OR OF ANY INFORMATION CONTAINED HEREIN. SHOULD KEYSIGHT AND THE USER HAVE A SEPARATE WRITTEN AGREEMENT WITH WARRANTY TERMS COVERING THE MATERIAL IN THIS DOCUMENT THAT CONFLICT WITH THESE TERMS, THE WARRANTY TERMS IN THE SEPARATE AGREEMENT SHALL CONTROL.

DFARS/Restricted Rights Notices

If software is for use in the performance of a U.S. Government prime contract or subcontract, Software is delivered and licensed as "Commercial computer software" as defined in DFAR 252.227-7014 (June 1995), or as a "commercial item" as defined in FAR 2.101(a) or as "Restricted computer software" as defined in FAR 52.227-19 (June 1987) or any equivalent agency regulation or contract clause. Use, duplication or disclosure of Software is subject to Keysight Technologies' standard commercial license terms, and non-DOD Departments and Agencies of the U.S. Government will receive no greater than Restricted Rights as defined in FAR 52.227-19(c)(1-2) (June 1987). U.S. Government users will receive no greater than Limited Rights as defined in FAR 52.227-14 (June 1987) or DFAR 252.227-7015 (b)(2) (November 1995), as applicable in any technical data.



This product complies with the WEEE Directive (2002/96/EC) marking requirement. The affixed product label indicates that you must not discard this electrical/electronic product in domestic household waste.

Product Category: With reference to the equipment types in the WEEE directive Annex 1, this product is classified as a "Monitoring and Control instrumentation" product.

Do not dispose in domestic household waste.

To return unwanted products, contact your local Keysight office, or see www.keysight.com/environment/<product> for more information.



This symbol represents the time period during which no hazardous or toxic substance elements are expected to leak or deteriorate during normal use. Forty years is the expected useful life of this product.

